

auto electrical parts

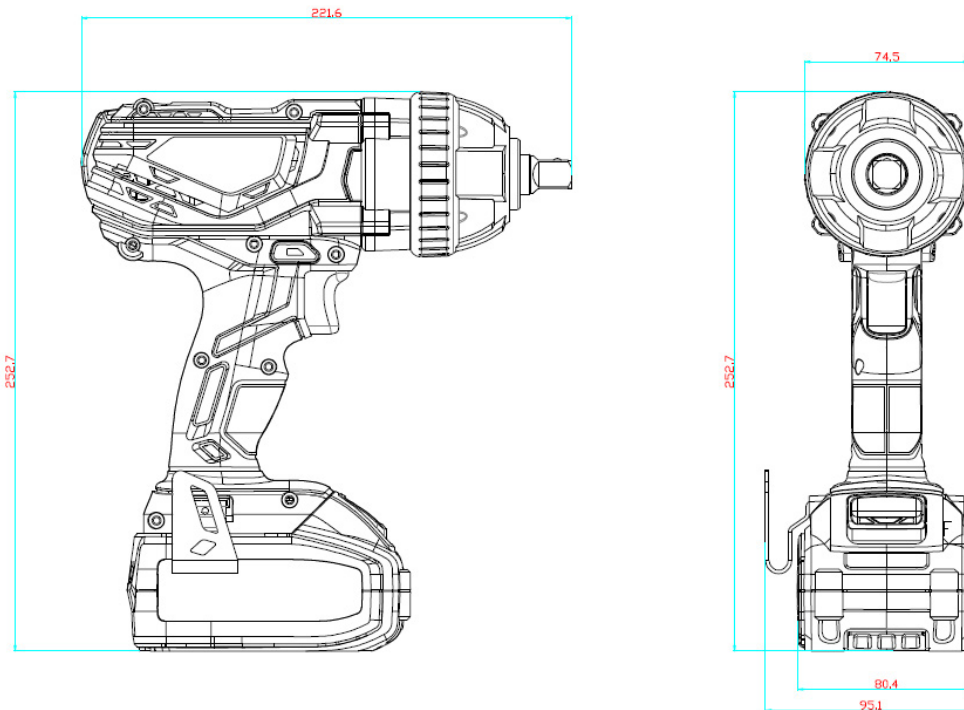
Technical Information Sheet

Part No. 0-467-30

Cordless 18.0V 1/2" Impact Wrench with 3.0Ah Lithium Ion Battery and #887 Motor. No Load Speed 0-2200min. Impact Rate 0-2700min. Max Torque 380Nm. Supplied in a BMC with a spare battery and UK 230V Charger.



Technical Drawing (not to scale)



Specification

Motor Voltage	18.0V DC
Motor Type	#887
Drive	1/2"
Weight (Inc Bat)	2.6KG
Weight (Ex Bat)	1.9KG
No Load Speed	0-2200Min
Impact Rate	0-2700 IPM
Max Torque	380Nm
Vibration	9.09M/S ²
Battery Type	Lithium Ion
Battery	18.0V 3.0Ah
Battery Weight	0.7KG
Charging Time	1 Hour
Approval	CE

The information contained in this document is correct to the best of our knowledge at the time of printing. However, specifications may change at any time without notice.